

Punch Unit Type 3260  
(B702)

## Punch Unit Type 3260 (B702)

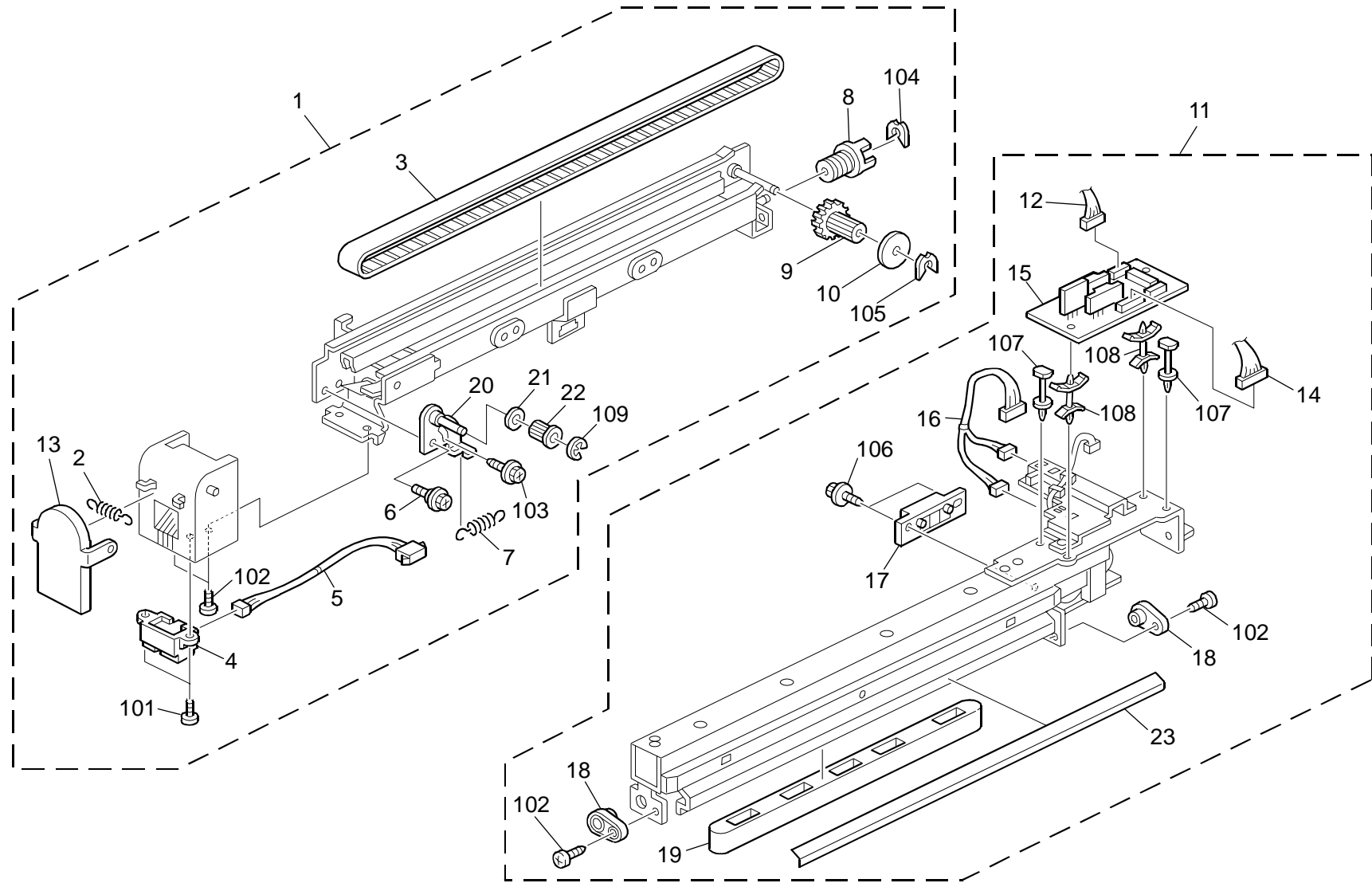
### PARTS CATALOG

This catalog gives the numbers and names of parts on this machine.

1.Punch Unit 1 (B702).....	2
2.Punch Unit 2 (B702).....	4
<b>Parts Index</b> .....	<b>7</b>

April ,8 ' 2005

# 1.Punch Unit 1 (B702)

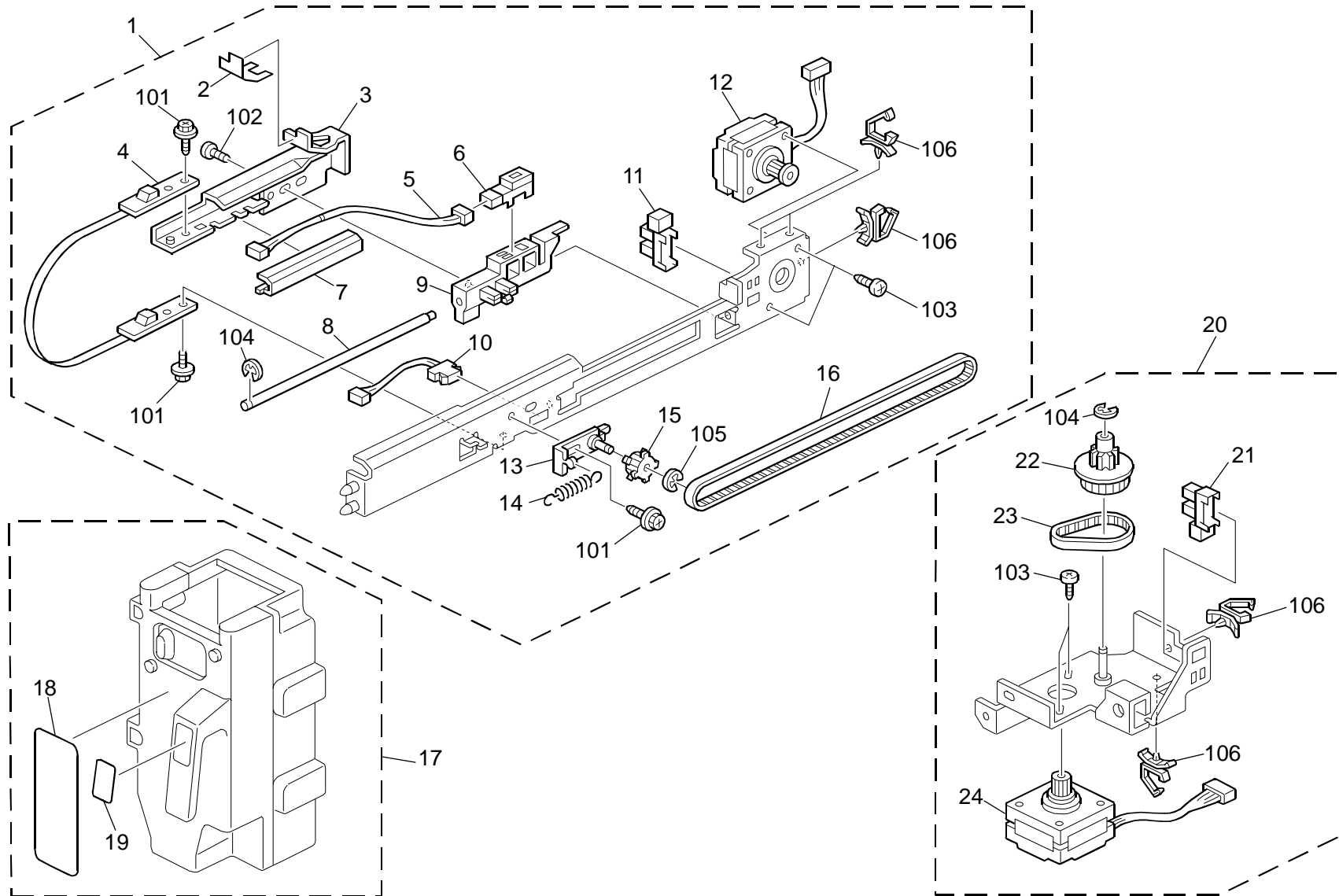


## 1.Punch Unit 1 (B702)

Index No.	Part No.	Description	Q'ty Per Assembly
1	B702 7031	Punch:Paper Chip:Ass'y	1
2	B702 7550	Tension Spring	1
3	B702 7525	Timing Belt:B175s2m726	1
4	AW01 0104	Paper Feed Sensor	1
5	B702 5304	Harness:Sensor	1
6	AA14 3790	Screw:Contact Point	1
7	A697 1518	Spring - Oil Blade	1
8	B702 7520	Worm Gear:Punch:Transport	1
9	B702 7515	Worm Wheel:Punch:Transport	1
10	B702 7510	Flange:Timing Pulley	1
11	B702 7017	Punch Unit:NA	1
11	B702 7027	Punch Unit:EU	1
11	B702 7028	Punch Unit:NE	1
12	B702 5301	Harness:Punch Unit:Move:Motor	1
13	B702 7545	Cover:Guide:Punch:Exhaust	1
14	B702 5302	Harness:Registration Sensor:Motor	1
15	B702 5100	PCB:Punch:Control	1
16	B702 5303	Harness:Punch Unit:Sensor	1
17	B702 7215	Rack:Punch Unit:Move	1
18	B702 7225	Bushing:Punch Unit:Slide	1
19	B702 7220	Guide:Punch:Toner Hopper	1
20	B702 7555	Belt Tensioner:Bracket	1
21	B702 7565	Flange:Timing Pulley	1
22	B702 7560	Timing Pulley:15t	1
23	B702 7229	Guide:Entrance:Punch	1

Index No.	Part No.	Description	Q'ty Per Assembly
101	0452 3008N	Tapping Screw - M3x8	
102	0453 3006N	Tapping Screw - M3x6	
103	0451 3006N	Tapping Screw - 3x6	
104	0805 0089	Retaining Ring - M4	
105	0805 0092	Retaining Ring - 3M	
106	0451 3008N	Tapping Screw - M3x8	
107	1105 0583	Clamp:Mps-14-0	
108	1105 0585	Clamp:Wls-14-0:V0	
109	0720 0030E	Retaining Ring - M3	

## 2.Punch Unit 2 (B702)



## 2.Punch Unit 2 (B702)

Index No.	Part No.	Description	Q'ty Per Assembly
1	B702 7000	Registration Sensor:Move:Unit	1
2	B702 7140	Guide:Plate	1
3	B702 7130	Guide Plate:Lower:Move	1
4	B702 5200	Punch:Sensor:Connecting:Ass'y	1
5	B702 5306	Harness:Registration Sensor	1
6	AW01 0107	Paper Feed Sensor	1
7	B702 7110	Cover:Harness	1
8	B702 7120	Shaft:Slide:Registration Sensor	1
9	B702 7100	Holder:Move:Registration Sensor	1
10	B702 5305	Harness:Registration Sensor:Side	1
11	AW02 0141	Photointerruptor	1
12	B700 5810	Stepper Motor:MM39:S2M:T15:Ass'y	1
13	B702 7125	Bracket:Belt Tensioner:Ass'y	1
14	A697 1518	Spring - Oil Blade	1
15	B702 7135	Timing Pulley:18T	1
16	B702 7105	Timing Belt:B40S2M520	1
17	B702 7038	Toner Hopper:Punch:Ass'y	1
18	B702 7850	Decal:Operation Instructions	1
19	B702 7890	Decal:Positioning Display	1
20	B702 7200	Bracket:Stepper Motor	1
21	AW02 0114	Photo Interruptor - Lower Limit	1
22	B702 7205	Pinion:Punch Unit:Move	1
23	B702 7210	Timing Belt:B60S2M122	1
24	B700 5811	Stepper Motor:MM39:S2M:T20:Ass'y	1

Index No.	Part No.	Description	Q'ty Per Assembly
101	0451 3006N	Tapping Screw - 3x6	
102	0452 3008N	Tapping Screw - M3x8	
103	0353 0040N	Screw - M3X4	
104	0720 0040E	Retaining Ring - M4	
105	0720 0030E	Retaining Ring - M3	
106	1105 0511	Harness Clamp - LWS-0306ZC	

# Parts Index

## Parts Index

Part No.	Description	Page and Index No.
B702 5100	PCB:Punch:Control	3 - 15
B702 5200	Punch:Sensor:Connecting:Ass'y	5 - 4
B702 5301	Harness:Punch Unit:Move:Motor	3 - 12
B702 5302	Harness:Registration Sensor:Motor	3 - 14
B702 5303	Harness:Punch Unit:Sensor	3 - 16
B702 5304	Harness:Sensor	3 - 5
B702 5305	Harness:Registration Sensor:Side	5 - 10
B702 5306	Harness:Registration Sensor	5 - 5
B702 7000	Registration Sensor:Move:Unit	5 - 1
B702 7017	Punch Unit:NA	3 - 11
B702 7027	Punch Unit:EU	3 - 11
B702 7028	Punch Unit:NE	3 - 11
B702 7031	Punch:Paper Chip:Ass'y	3 - 1
B702 7038	Toner Hopper:Punch:Ass'y	5 - 17
B702 7100	Holder:Move:Registration Sensor	5 - 9
B702 7105	Timing Belt:B40S2M520	5 - 16
B702 7110	Cover:Harness	5 - 7
B702 7120	Shaft:Slide:Registration Sensor	5 - 8
B702 7125	Bracket:Belt Tensioner:Ass'y	5 - 13
B702 7130	Guide Plate:Lower:Move	5 - 3
B702 7135	Timing Pulley:18T	5 - 15
B702 7140	Guide:Plate	5 - 2
B702 7200	Bracket:Stepper Motor	5 - 20
B702 7205	Pinion:Punch Unit:Move	5 - 22
B702 7210	Timing Belt:B60S2M122	5 - 23
B702 7215	Rack:Punch Unit:Move	3 - 17
B702 7220	Guide:Punch:Toner Hopper	3 - 19
B702 7225	Bushing:Punch Unit:Slide	3 - 18
B702 7229	Guide:Entrance:Punch	3 - 23
B702 7510	Flange:Timing Pulley	3 - 10
B702 7515	Worm Wheel:Punch:Transport	3 - 9
B702 7520	Worm Gear:Punch:Transport	3 - 8
B702 7525	Timing Belt:B175s2m726	3 - 3
B702 7545	Cover:Guide:Punch:Exhaust	3 - 13
B702 7550	Tension Spring	3 - 2

Part No.	Description	Page and Index No.
B702 7555	Belt Tensioner:Bracket	3 - 20
B702 7560	Timing Pulley:15t	3 - 22
B702 7565	Flange:Timing Pulley	3 - 21
B702 7850	Decal:Operation Instructions	5 - 18
B702 7890	Decal:Positioning Display	5 - 19



Part No.	Description	Page and Index No.
A697 1518	Spring - Oil Blade	3 - 7
A697 1518	Spring - Oil Blade	5 - 14
B700 5810	Stepper Motor:MM39:S2M:T15:Ass'y	5 - 12
B700 5811	Stepper Motor:MM39:S2M:T20:Ass'y	5 - 24

Part No.	Description	Page and Index No.
AA14 3790	Screw:Contact Point	3 - 6
AW01 0104	Paper Feed Sensor	3 - 4
AW01 0107	Paper Feed Sensor	5 - 6
AW02 0114	Photo Interruptor - Lower Limit	5 - 21
AW02 0141	Photointerruptor	5 - 11

Part No.	Description	Page and Index No.
0353 0040N	Screw - M3X4	5 - 103
0451 3006N	Tapping Screw - 3x6	3 - 103
0451 3006N	Tapping Screw - 3x6	5 - 101
0451 3008N	Tapping Screw - M3x8	3 - 106
0452 3008N	Tapping Screw - M3x8	3 - 101
0452 3008N	Tapping Screw - M3x8	5 - 102
0453 3006N	Tapping Screw - M3x6	3 - 102
0720 0030E	Retaining Ring - M3	5 - 105
0720 0030E	Retaining Ring - M3	3 - 109
0720 0040E	Retaining Ring - M4	5 - 104
0805 0089	Retaining Ring - M4	3 - 104
0805 0092	Retaining Ring - 3M	3 - 105
1105 0511	Harness Clamp - LWS-0306ZC	5 - 106
1105 0583	Clamp:Mps-14-0	3 - 107
1105 0585	Clamp:Wls-14-0:V0	3 - 108

Part No.	Description	Page and Index No.